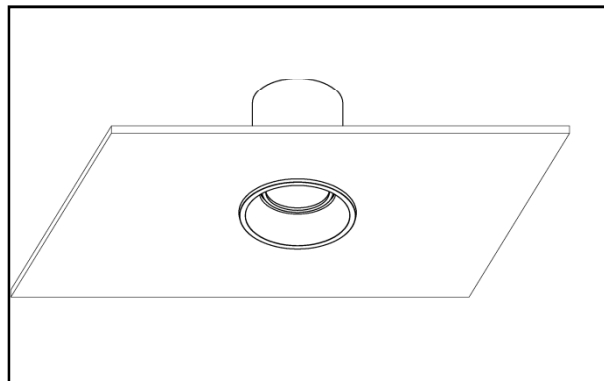
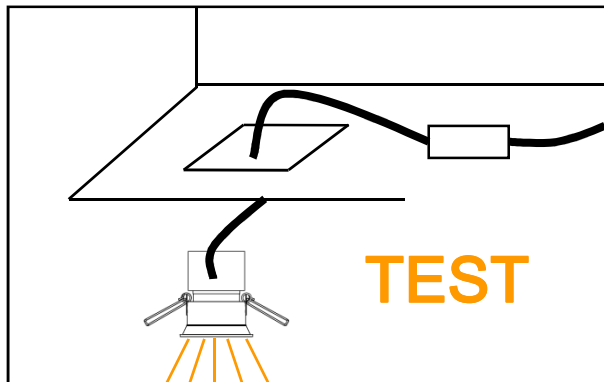
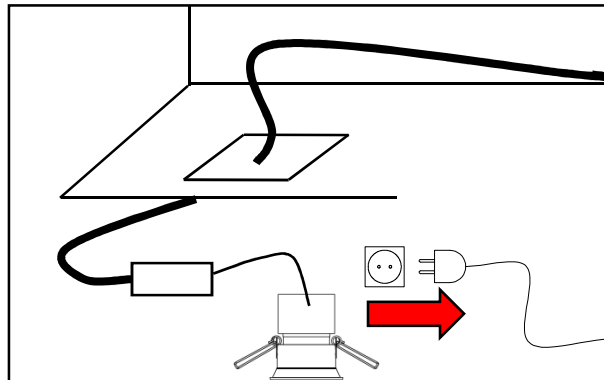
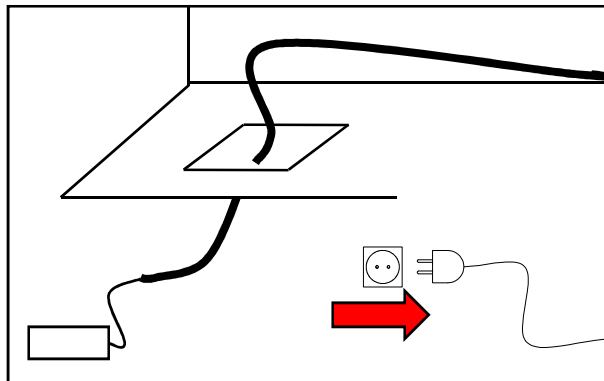
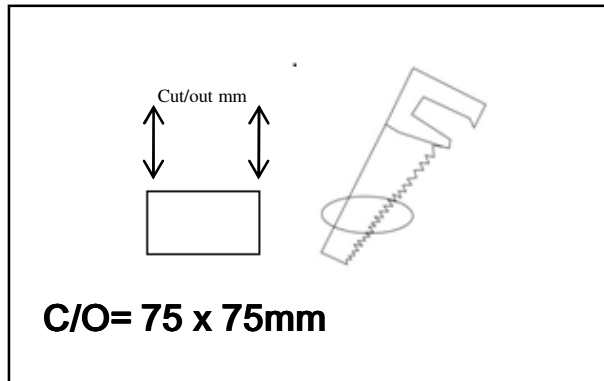
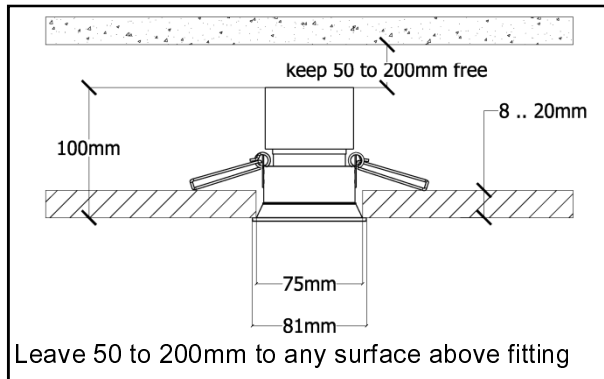




EN - Safety instructions
-
Installation instructions

Virgo Square LED - 9165



- 1- Installation and commissioning may only be carried out by authorized specialists. Electrical components must be connected by qualified electricians.
- 2- BEWARE! Make sure the luminaires are always disconnected from the mains supply during wiring, installation and maintenance work. Before starting the installation, make sure the power is switched off.
- 3- This fixture is suitable for indoor use only (not suitable for wet area). The luminaire is exclusively used for lighting and is to be installed in accordance with the national regulations. Any other use or installation is regarded as "non according to instructions".
- 4- The luminaire with F mark are suitable for installation on normally flammable surfaces (for example wood and wood-based materials of more than 2 mm thickness).
- 5- Do not put the luminaire on surfaces that are wet, recently painted or on electrical connections.
- 6- Always be sure to keep a minimum spacing of more than 0.5m (50cm) between the luminaire and the illuminated surface.
- 7- Do not cover the luminaire. Be really careful with insulating material. Avoid excess of dust deposition over the luminaire.
- 8- **Ceiling installation only**
- 9- Cleaning is limited to the external parts of the luminaire. During cleaning, make sure that moisture has not penetrated the luminaire or its electrical parts.



Luminaire without driver:
Protection class III. Extra low voltage.

Luminaire connected to a driver:
Protection class II. This fitting is double insulated and should not be connected to ground wire.

KEEP THESE INSTRUCTIONS FOR FURTHER REFERENCE.

Gallis s.a.
Lefkados 3, GR-18346 Moschato, Athens, Greece
T: +30 210 4833888 — F: +30 210 4832859 — W: www.gallis.gr